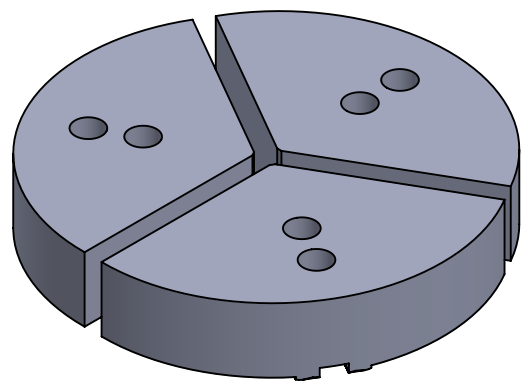
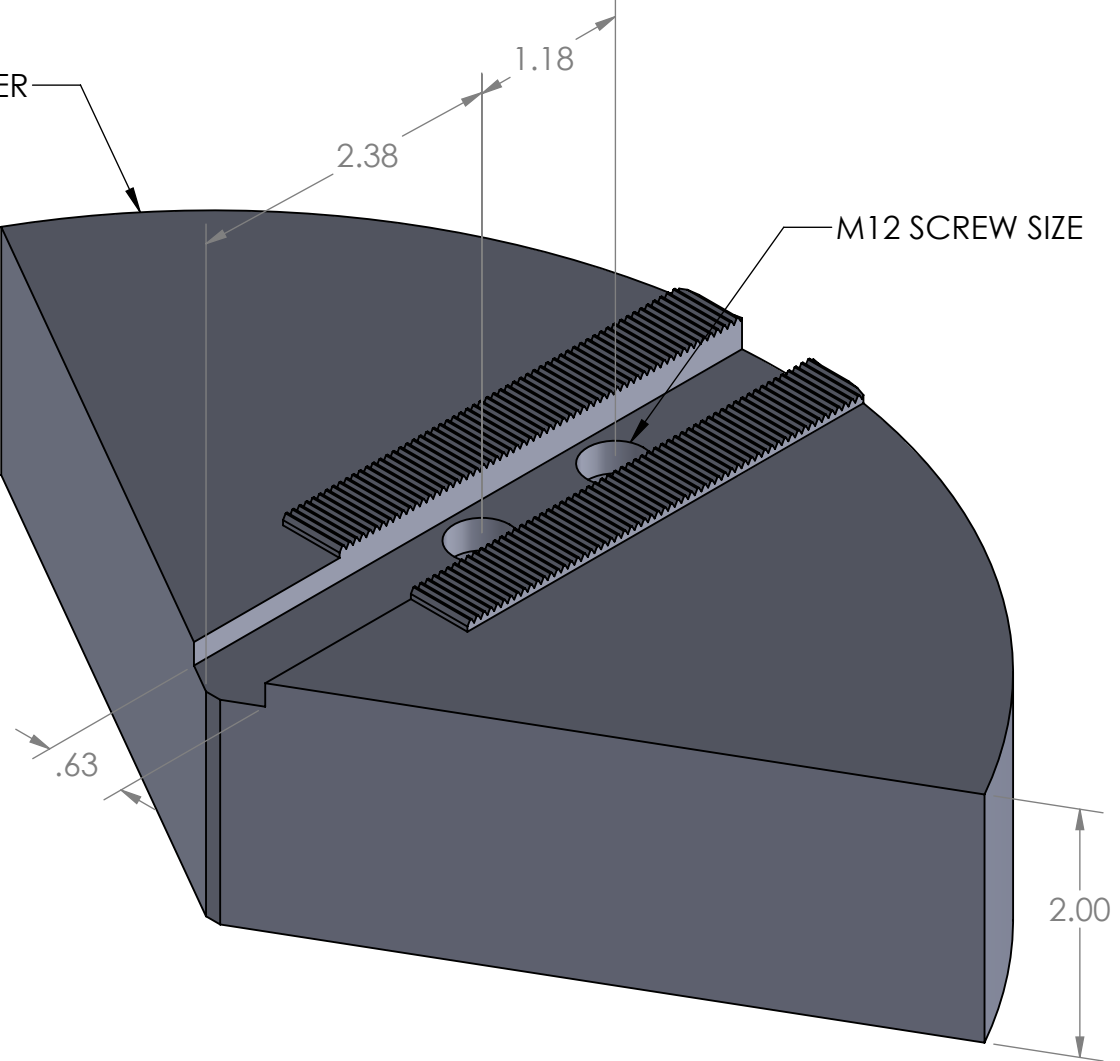


TITLE:	10" FULL GRIP ROUND JAWS 1.5MM X 60 SERRATED FOR B210 TYPE CHUCKS (2" HT)
MATERIAL:	6061 -T6 ALUMINUM
GROVE WIDTH	0.630 (16MM)
SCREW SIZE	M12
HOLE SPACING	1.18 (30MM)
HEIGHT	2.00"
COMPATIBILITY	HAWA, MMK, SNW, STRONG, SAMCHULLY AND HITACHI SEIKI

10" PIE DIAMETER



SET OF 3 PCS

	SALES@ASDESIGNS.CA
	PART NUMBER: ASDSN-0001

DIMENSIONS IN INCHES UNLESS OTHERWISE SPECIFIED

