

6

5

4

3

2

1

TITLE:	10" ALUMINUM 1.5MM X 60 SERRATED JAWS FOR B-210 CHUCKS, POINTED (2" HT)
MATERIAL:	6061 -T6 ALUMINUM
GROVE WIDTH	0.63 (16MM)
SCREW SIZE	M12
HOLE SPACING	1.181 (30MM)
HEIGHT	2.0
COMPATIBILITY	HOWA, MMK, SNW, STRONG, SAMCHULLY AND HITACHI SEIKI

M12 SCREW SIZE

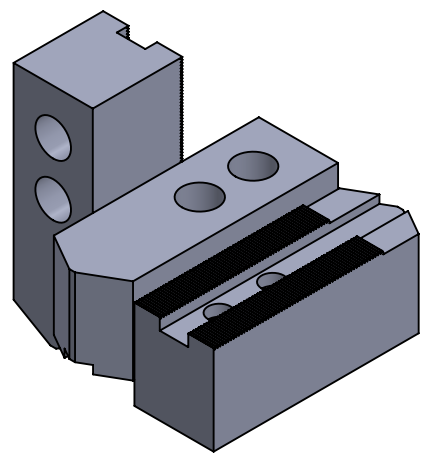
1.18

2.82

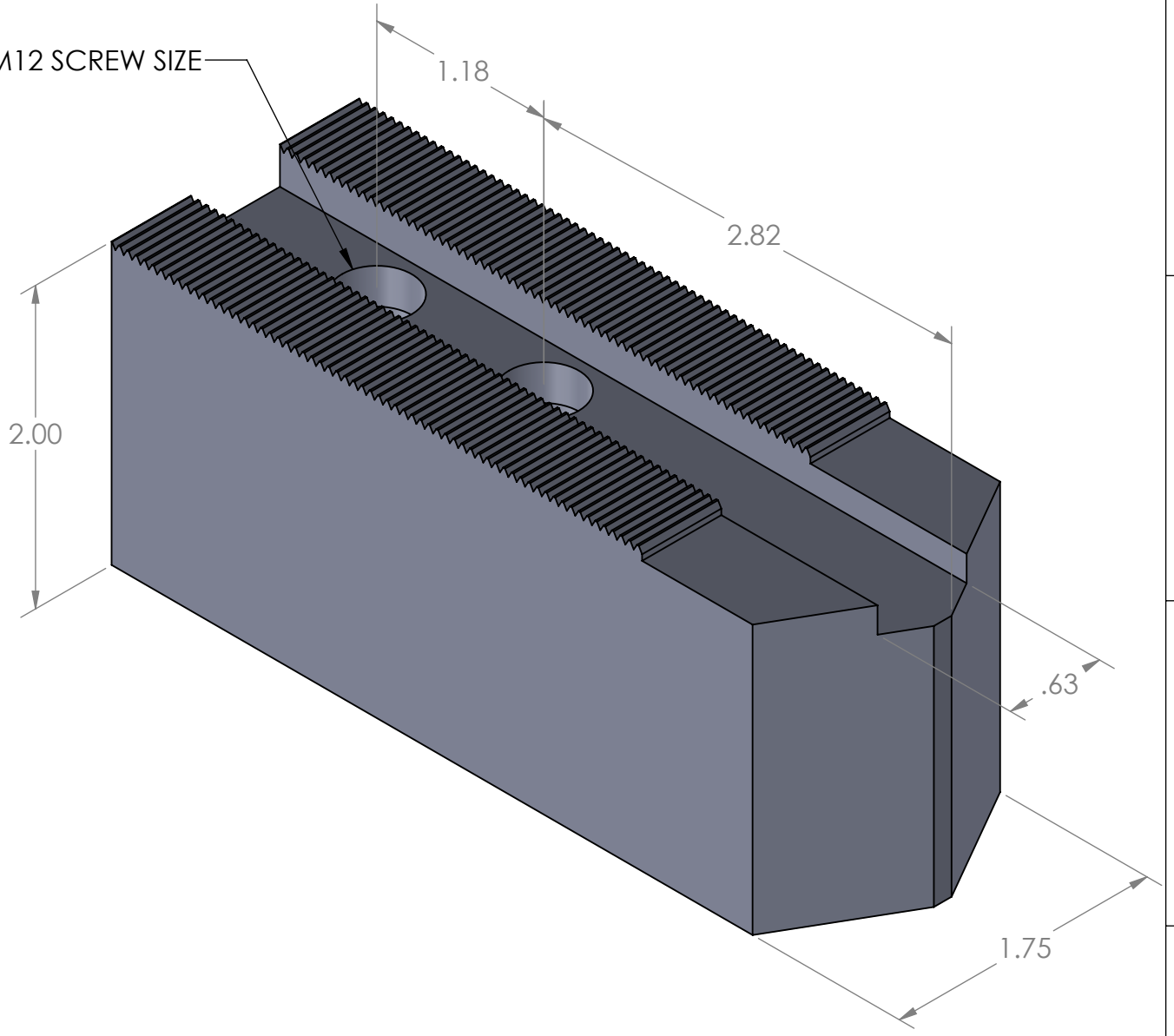
2.00

.63

1.75



SET OF 3 PCS



SALES@ASDESIGNS.CA

DIMENSIONS IN INCHES UNLESS OTHERWISE SPECIFIED

PART NUMBER: **ASDSN-0002**

6

5

4

3

2

1

D

D

C

C

B

B

A

A