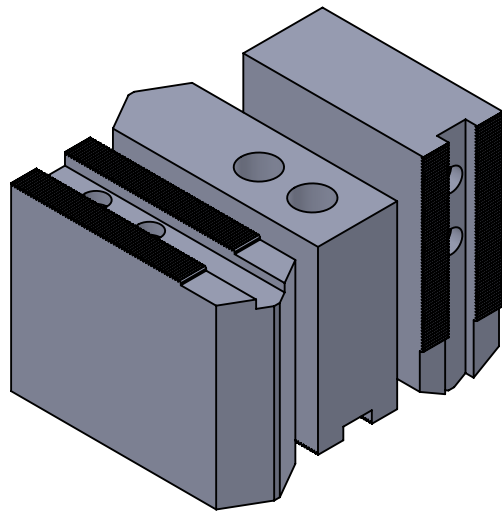
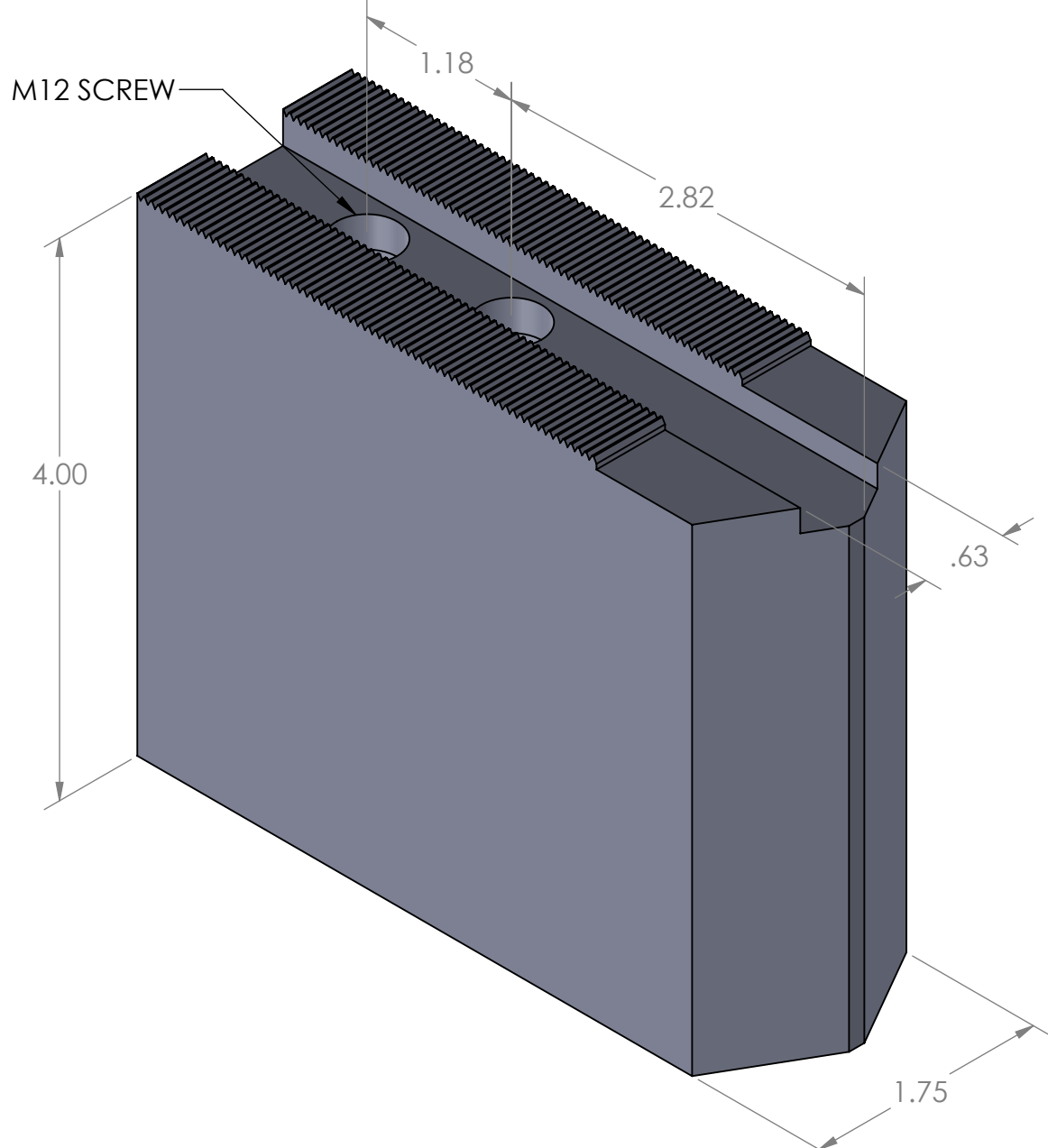


| | |
|---------------|--|
| TITLE: | 10" KITAGAWA TYPE 1.5 X 60 SERRATED CNC CHUCK SOFT TOP JAWS (4.0HT) |
| MATERIAL: | 6061 -T6 ALUMINUM |
| GROVE WIDTH | 0.63(16MM) |
| SCREW SIZE | M12 |
| HOLE SPACING | 1.181 (30MM) |
| HEIGHT | 4.00 |
| COMPATIBILITY | HOWA, MMK, SNW, STRONG, SAMCHULLY AND HITACHI SEIKI |



SET OF 3 PCS



SALES@ASDESIGNS.CA

DIMENSIONS IN INCHES UNLESS
OTHERWISE SPECIFIED

PART NUMBER:

ASDSN-0003