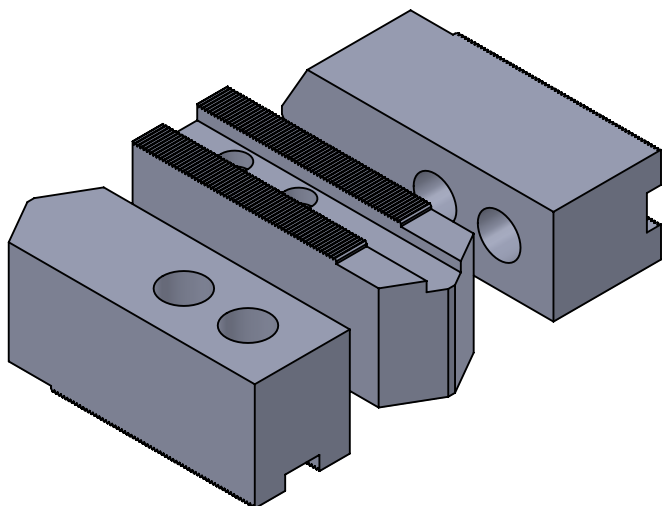
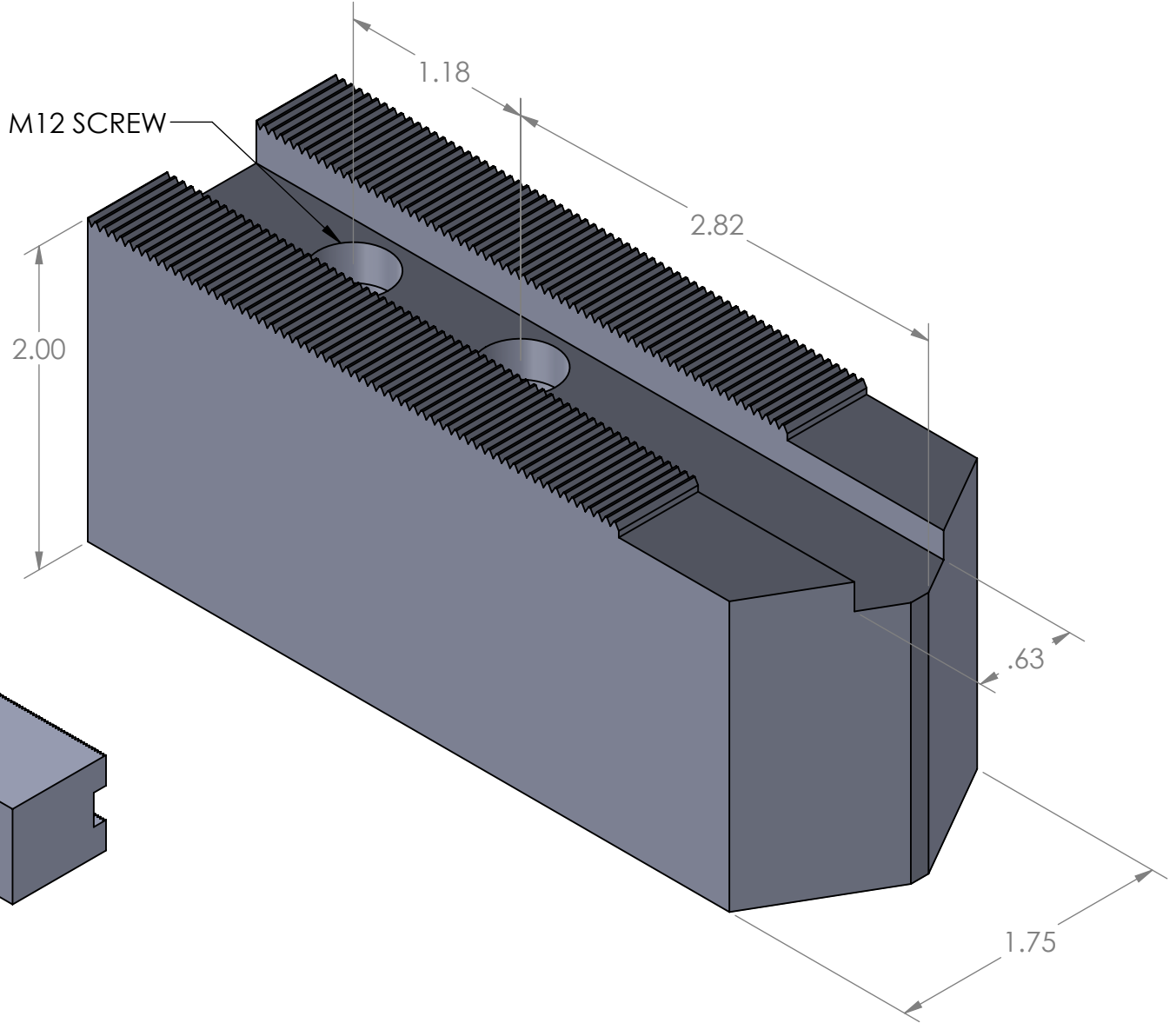


TITLE:	10" KITAGAWA TYPE 1.5 X 60 SERRATED CNC CHUCK SOFT TOP JAWS (2.0HT)
MATERIAL:	6061 -T6 ALUMINUM
GROVE WIDTH	0.63(16MM)
SCREW SIZE	M12
HOLE SPACING	1.181 (30MM)
HEIGHT	2.00
COMPATIBILITY	HOWA, KITAGAWA, MMK, SNW, STRONG, SAMCHULLY AND HITACHI SEIKE



SET OF 3 PCS

	SALES@ASDESIGNS.CA
	PART NUMBER: ASDSN-0004

DIMENSIONS IN INCHES UNLESS OTHERWISE SPECIFIED

