

6

5

4

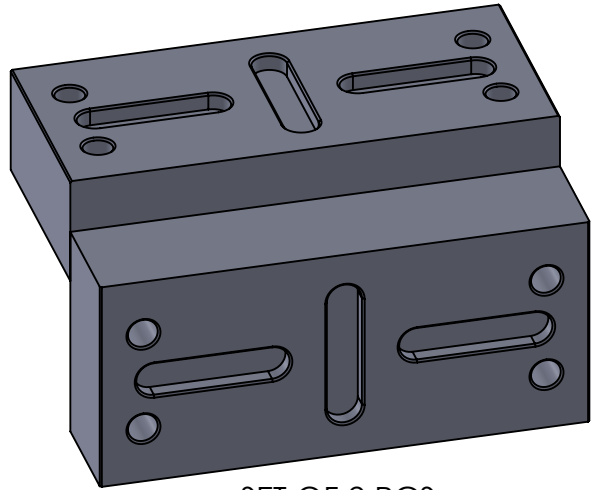
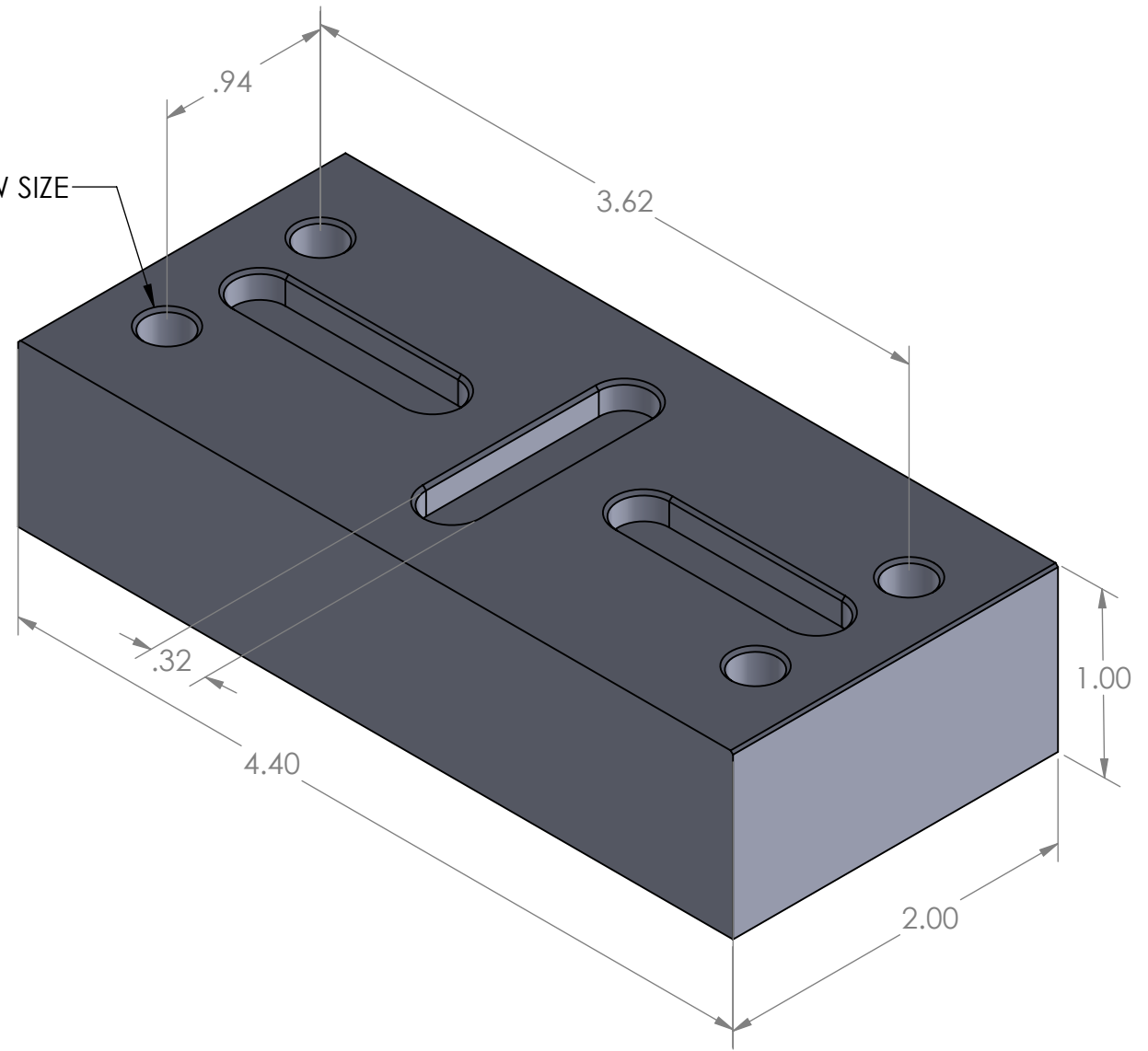
3

2

1

TITLE:	LANG PROFILO 77 SOFT JAWS
MATERIAL:	6061 -T6 ALUMINUM
GROVE WIDTH	0.315
SCREW SIZE	M8
HOLE SPACING	3.622 X 0.945
HEIGHT	1.0
COMPATIBILITY	LANG

M8 SCREW SIZE



SET OF 2 PCS

D

D

C

C

B

B

A

A

6

5

4

3

2

1

	SALES@ASDESIGNS.CA
	PART NUMBER: ASDSN-0013

DIMENSIONS IN INCHES UNLESS OTHERWISE SPECIFIED