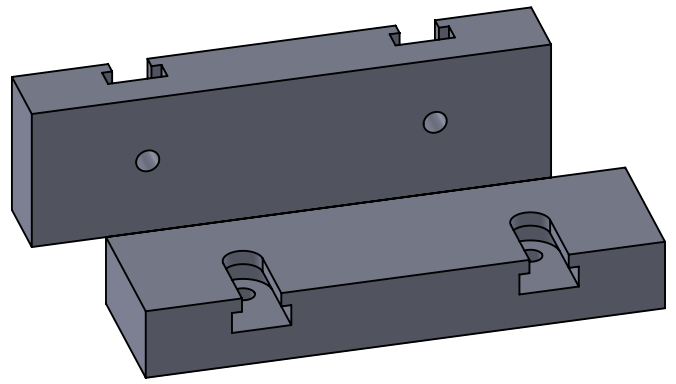
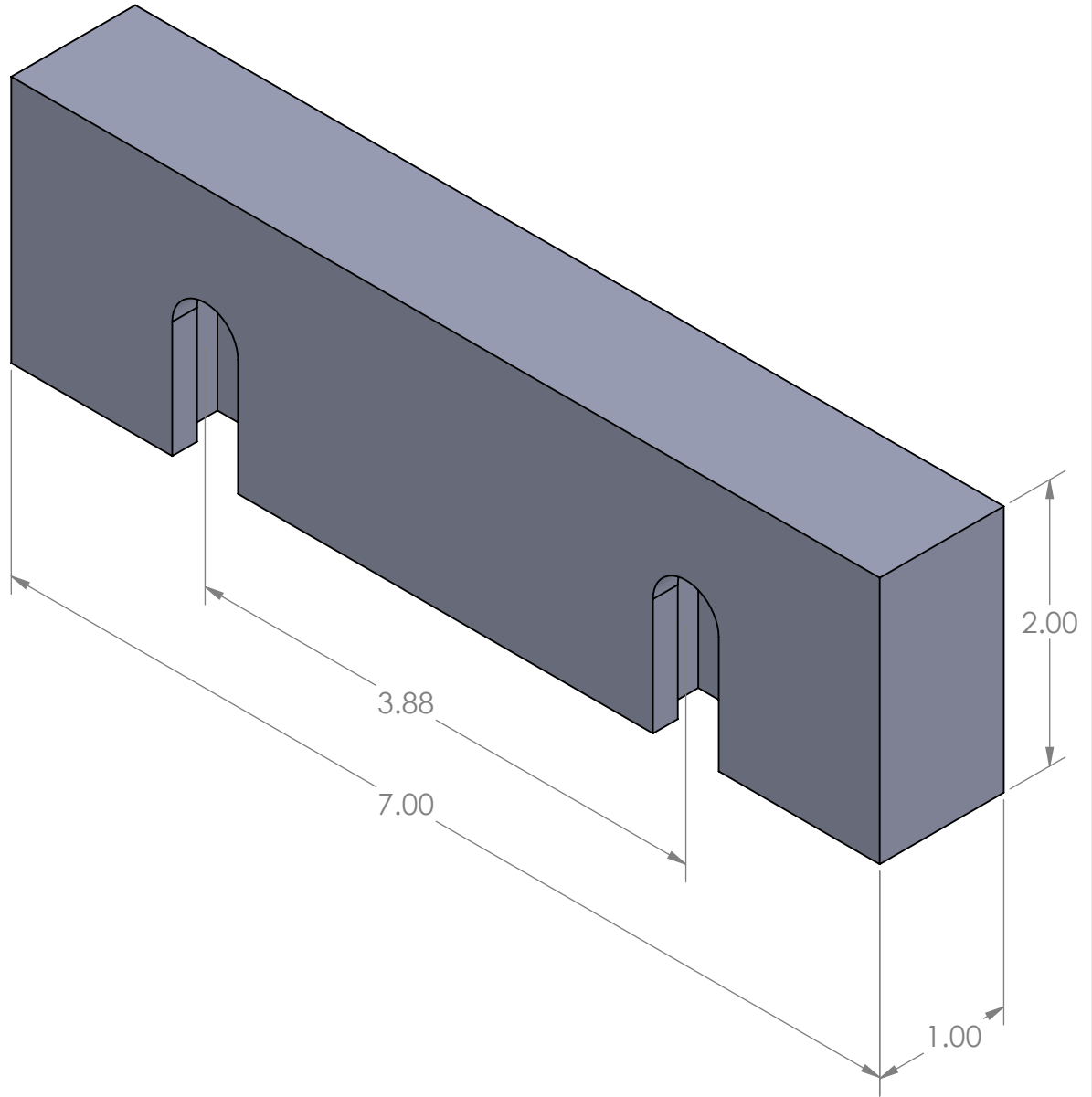


6 5 4 3 2 1

TITLE:	<b>T SLOT TYPE ALUMINUM SOFT JAWS FOR 7" VISE</b>
MATERIAL:	<b>6061 -T6 ALUMINUM</b>
SCREW SIZE	<b>0.5"</b>
HOLE SPACING	<b>3.875</b>
	<b>7" X 2" X 1" (L X H X W)</b>
COMPATIBILITY	<b>CHICK, KURT, TE-CO PARLEC, TOOLEX, MAGNUM CONQUEST AND SIMILAR PRECISION VISES</b>



SET OF 2 PCS

D  
C  
B  
A

D  
C  
B  
A

	SALES@ASDESIGNS.CA
	PART NUMBER: <b>ASDSN-0014</b>

DIMENSIONS IN INCHES UNLESS OTHERWISE SPECIFIED

6 5 4 3 2 1