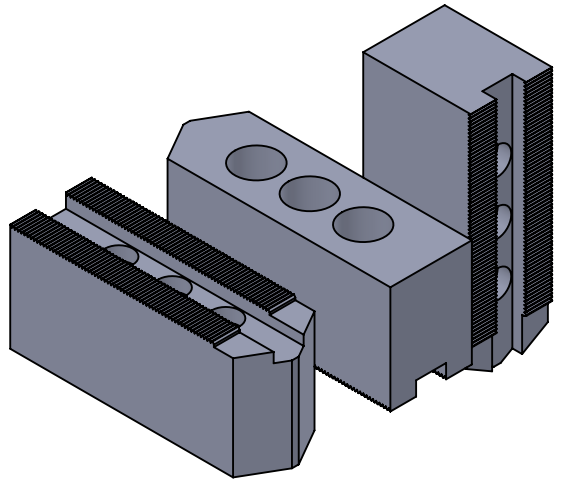
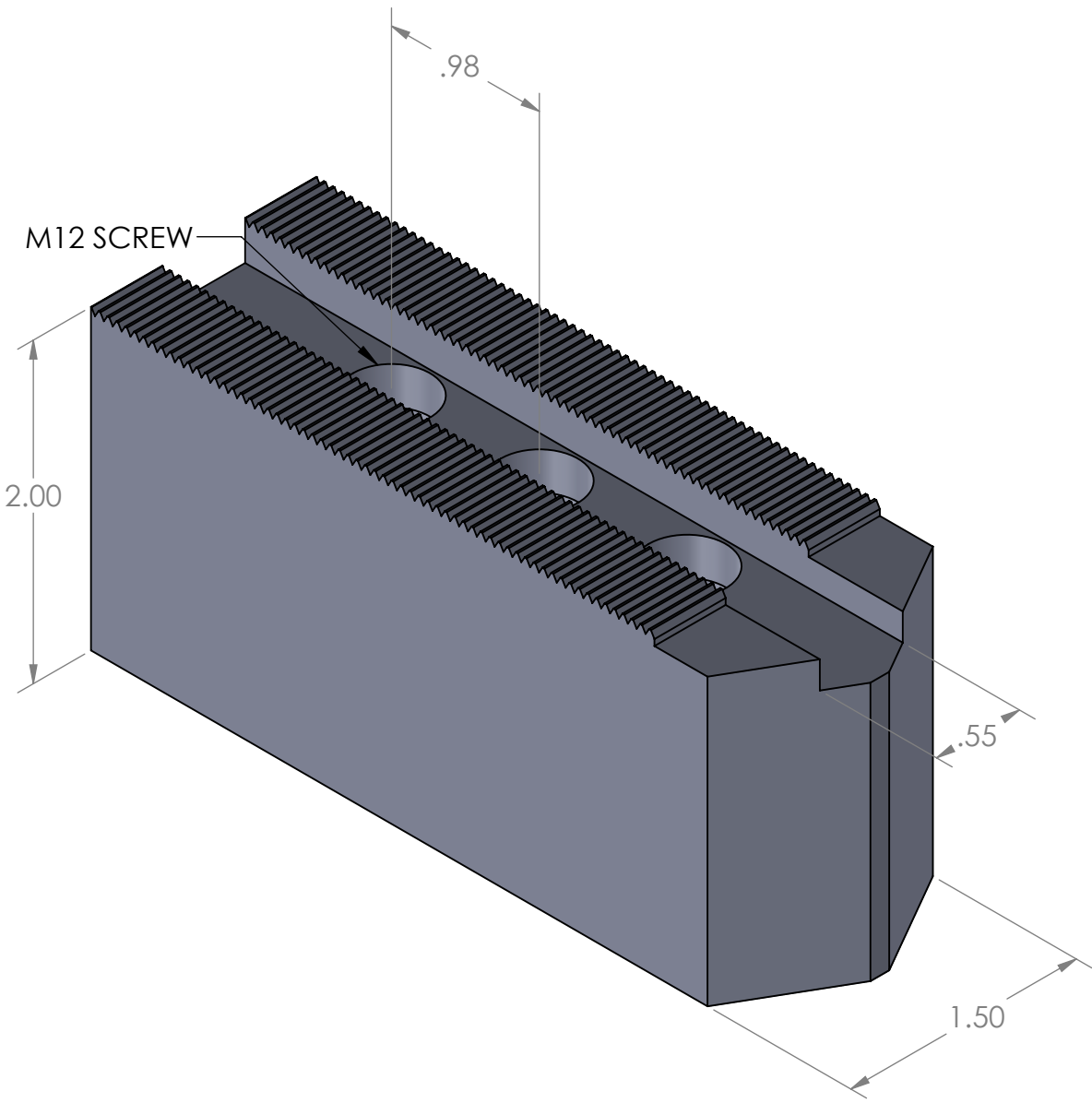


TITLE:	<b>B-208 TYPE 1.5 X 60 SERRATED CNC CHUCK SOFT TOP JAWS (2.0HT)</b>
MATERIAL:	<b>6061 -T6 ALUMINUM</b>
GROVE WIDTH	<b>0.552 (14MM)</b>
SCREW SIZE	<b>M12</b>
HOLE SPACING	<b>0.984 (25MM)</b>
HEIGHT	<b>2.00</b>
COMPATIBILITY	<b>HOWA, MMK, SNW, STRONG, SAMCHULLY AND HITACHI SEIKI</b>



SET OF 3 PCS

	SALES@ASDESIGNS.CA
	PART NUMBER: <b>ASDSN-0017</b>

DIMENSIONS IN INCHES UNLESS OTHERWISE SPECIFIED

