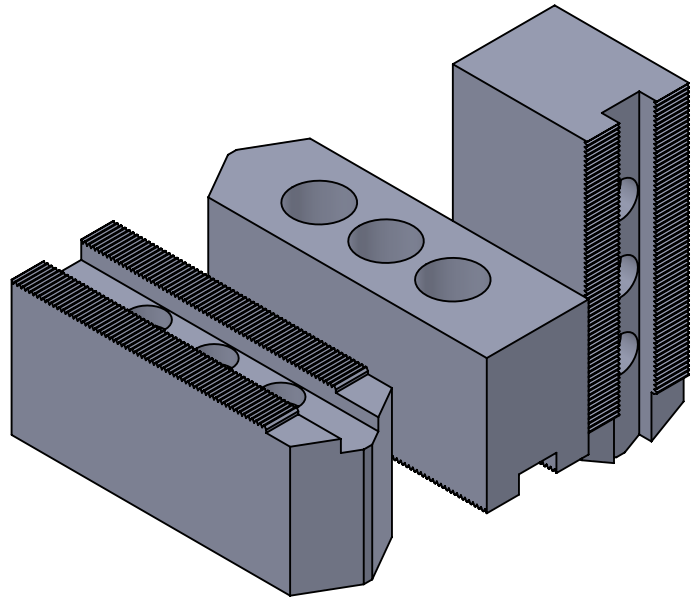
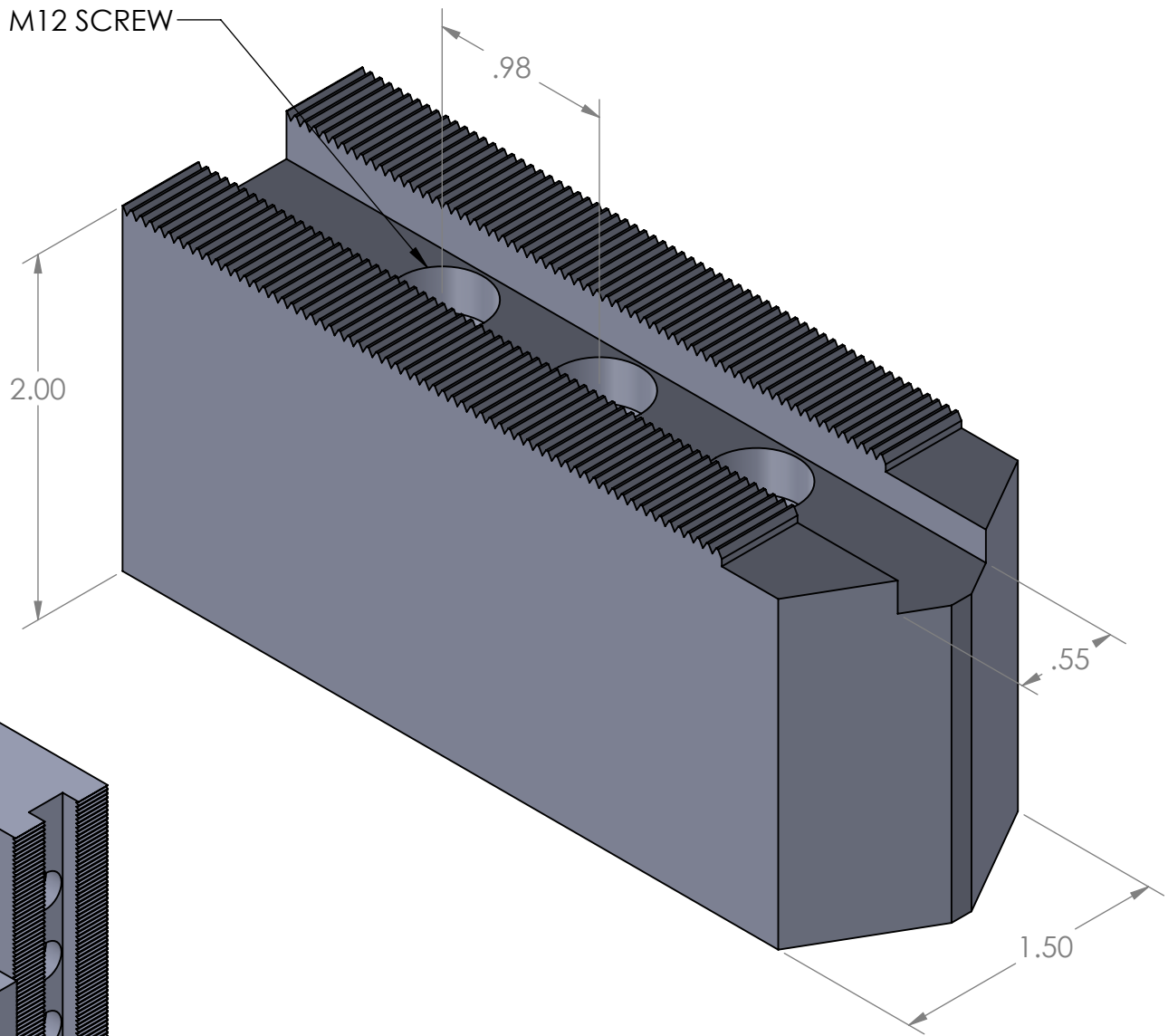


TITLE:	B-208 TYPE 1.5 X 60 SERRATED CNC CHUCK SOFT TOP JAWS (2.0HT)
MATERIAL:	MILD STEEL
GROVE WIDTH	0.552 (14MM)
SCREW SIZE	M12
HOLE SPACING	0.984 (25MM)
HEIGHT	2.00
COMPATIBILITY	HOWA, MMK, SNW, STRONG, SAMCHULLY AND HITACHI SEIKI



SET OF 3 PCS



SALES@ASDESIGNS.CA

DIMENSIONS IN INCHES UNLESS OTHERWISE SPECIFIED

PART NUMBER: **ASDSN-0018**

6 5 4 3 2 1

6 5 4 3 2 1

D

D

C

C

B

B

A

A